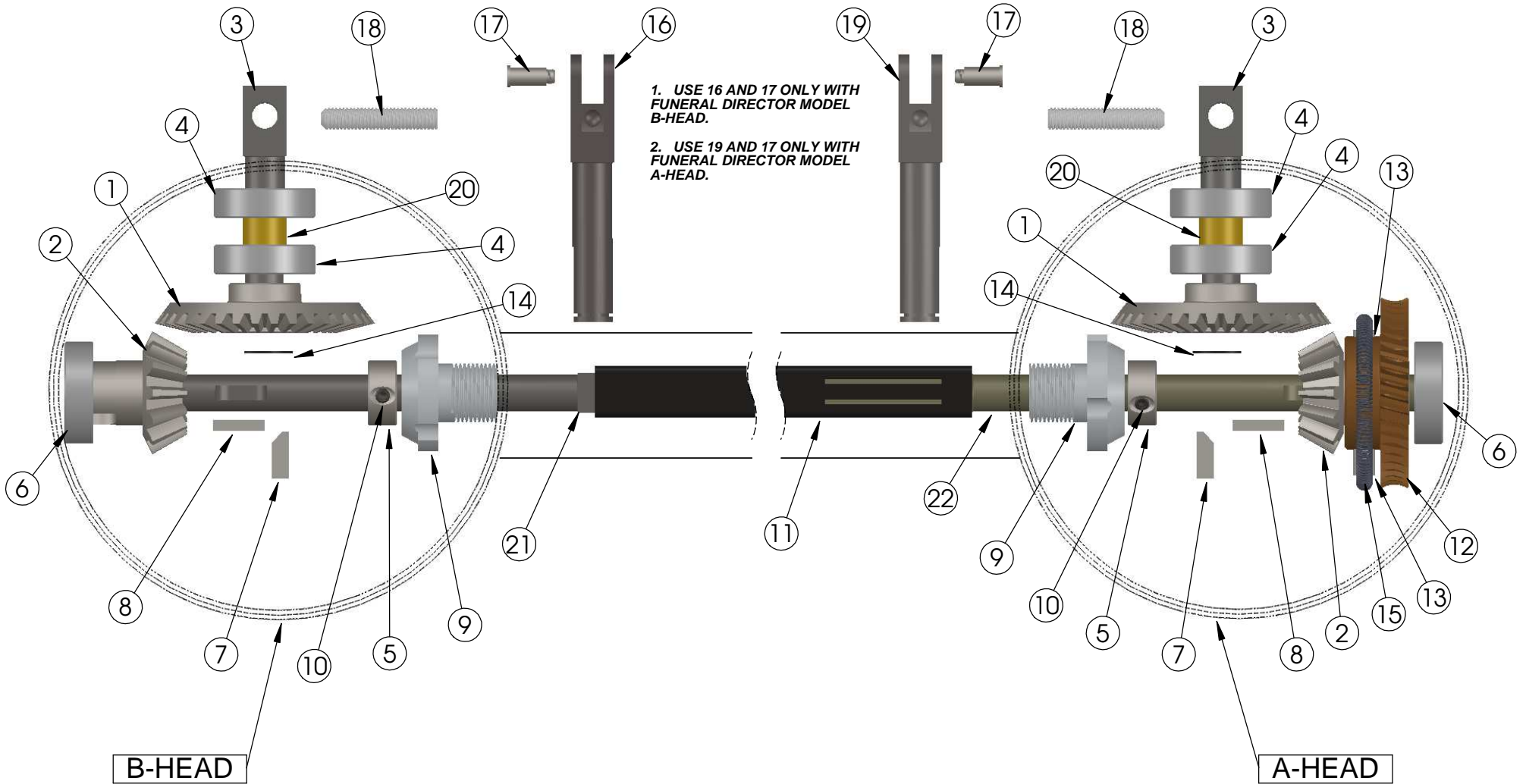




# TRANSMISSION SHAFT ASSEMBLY COMPLETE



<b>NO.</b>	<b>MASTER PART #</b>	<b>IMPERIAL PART #</b>	<b>DESCRIPTION</b>
1	4-TRN33M	4-TRN33I	BEVEL GEAR FOR A AND B HEADS
2	4-TRN38M	4-TRN38I	PINION GEAR FOR A & B HEADS
3	4-TRN162CHM	4-TRN162CHI	SHORTLINK, HEAD END, CEMETERY MODEL
4	4-TRN304M	4-TRN302-M-I	BEARING FOR SHORTLINKS
5	4-TRN36M	4-TRN36I	CONNECTING ROD COLLAR FOR A & B HEADS
6	4-TRN303M	4-TRN302-1-I	BEARING FOR TRANSMISSION SHAFT
7	4-TRN242M	N/A	STRAIGHT KEY USED ON BEVEL GEAR, MASTER ONLY
8	4-TRN241M	4-TRN241I	WOODRUFF KEY USED ON PINION GEAR AND BEVEL GEAR
9	4-TRN164	4-TRN164	TRANSMISSION SHAFT BEARING HOUSING
10	4-TRN37M	4-TRN37	TRANSMISSION SHAFT COLLAR SET SCREW
11	4-TRN69M	4-TRN69I	TRANSMISSION SHAFT TUBING
12	4-TRN27M	4-TRN27I	BRONZE WORM GEAR WITH RATCHET SPRING AND PINS
13	4-TRN30	4-TRN30	BRONZE WORM GEAR RATCHET PINS (PAIR)
14	4-TRN244	4-TRN244	E-RING USED ON BEVEL GEAR
15	4-TRN28	4-TRN28	BRONZE WORM GEAR RATCHET SPRING
16	4-TRN62FHMB	4-TRN62FHIB	SHORTLINK, B HEAD, FUNERAL DIRECTOR MODEL
17	4-TRN63	4-TRN63	SHORTLINK SCREW, FUNERAL DIRECTOR MODEL
18	4-TRN163	4-TRN163	SHORTLINK SCREW FOR CEMETERY MODEL
19	4-TRN62FHM	4-TRN62FHI	SHORTLINK, A HEAD, FUNERAL DIRECTOR MODEL
20	4-TRN304MB	N/A	BRASS BUSHING FOR MASTER SHORTLINK BEARINGS
21	4-TRN68M	4-TRN68I	TRANSMISSION SHAFT FOR B HEAD
22	4-TRN67M	4-TRN67I	TRANSMISSION SHAFT FOR A HEAD, MASTER